

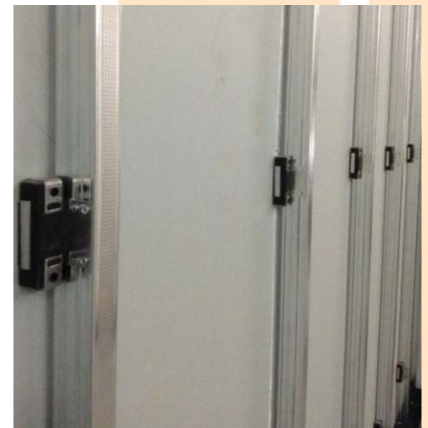
CDL – Insuclip Resilient Bracket

InsuClip resilient bracket designed for improving the noise and vibration reduction of wall / ceiling system. The low profile bracket design can maximize the room volume and provide the best noise insulation for wall and ceiling system.



Advantage:

1. Easy installation, can adjust the level when install at non-smooth surface;
2. Suitable to apply for existing or new wall/ceiling system;
3. Cost effective, reduce the material cost;
4. No tailor-made furring channel requirement;
5. Only 60mm Void depth between walls;
6. Loading capacity 35kg/clip.



Wall Installation



Ceiling Installation

CDL Studio Limited

Unit 5N, Century Centre, 33 Au Pui Wan Street, Fo Tan, Shatin, HK

Tel: (852) 3590 2408

Fax: (852) 3013 9667

E-mail: info@CDL.hk

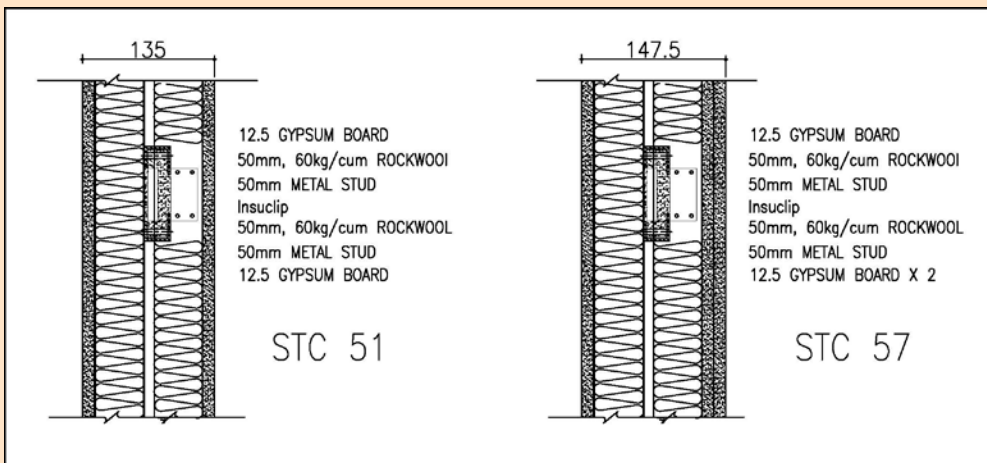
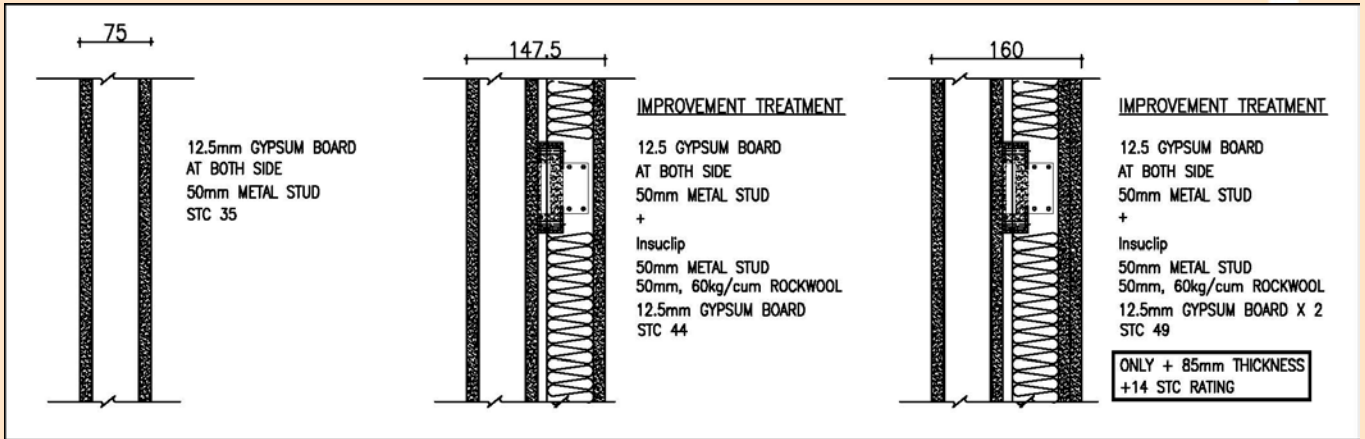
Web site: www.CDL.hk

studio

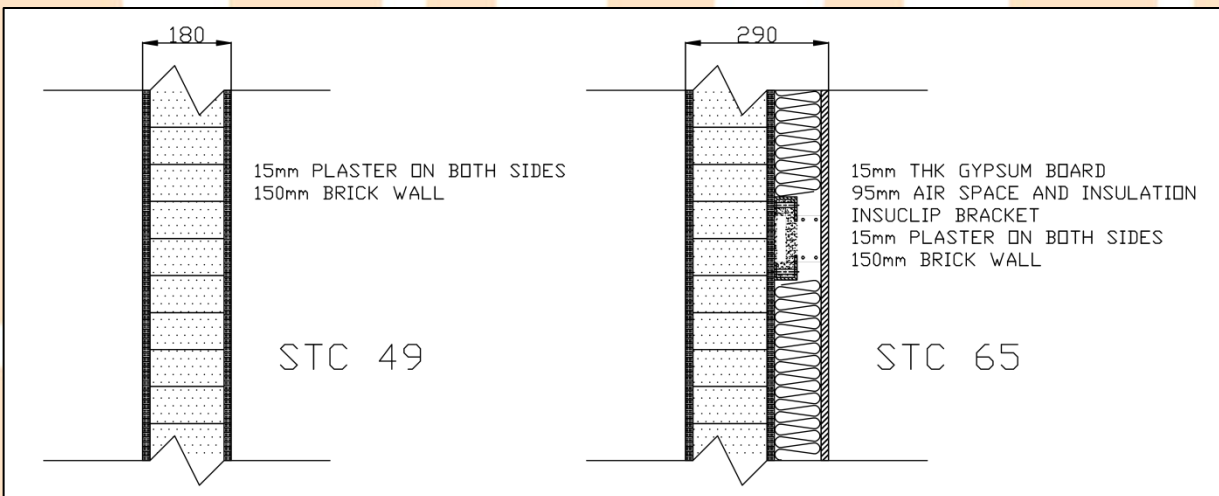
CDL – Insuclip Resilient Bracket

Acoustic Performance

For Drywall System



For Brick Wall System



CDL Studio Limited

Unit 5N, Century Centre, 33 Au Pui Wan Street, Fo Tan, Shatin, HK

Tel: (852) 3590 2408

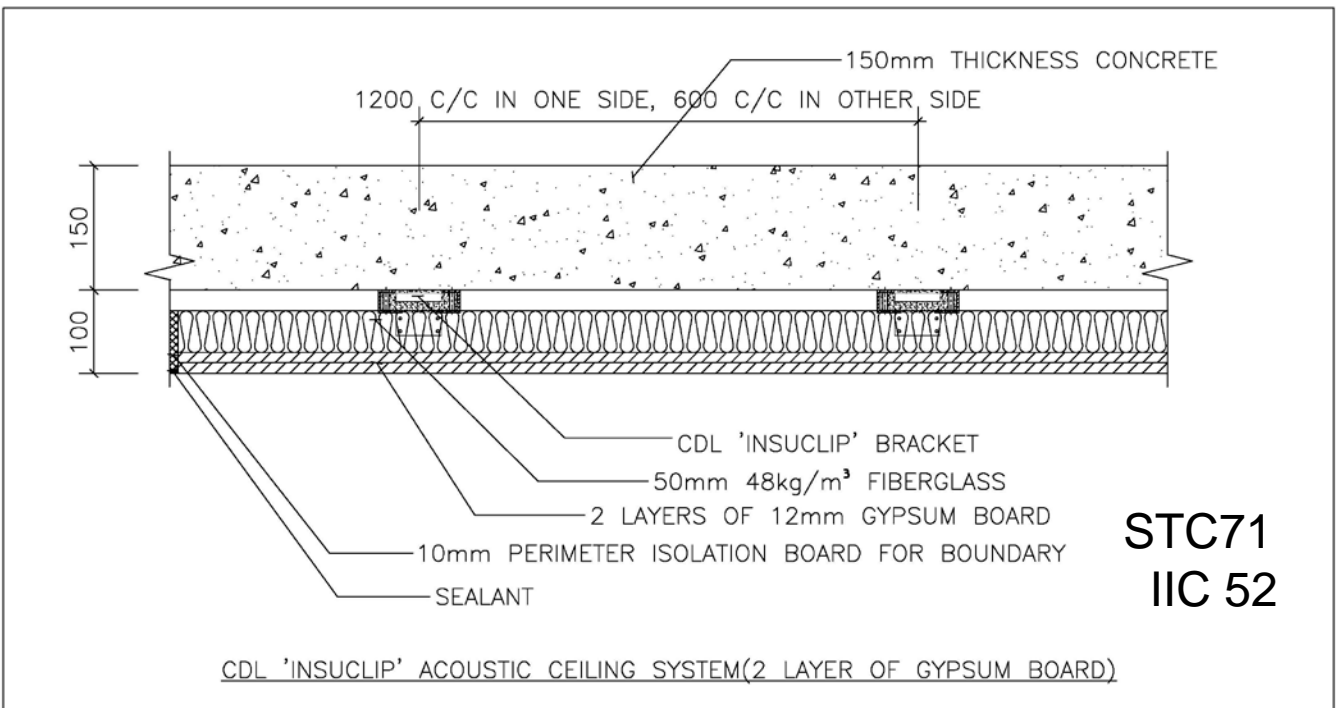
Fax: (852) 3013 9667

E-mail: info@CDL.hk

Web site: www.CDL.hk

studio

CDL – Insuclip Resilient Bracket



studio