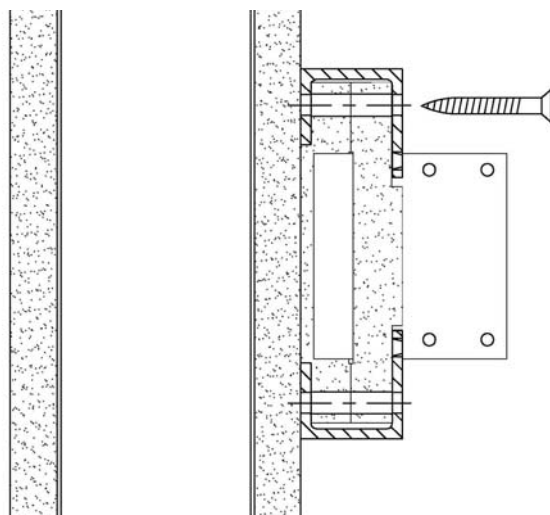
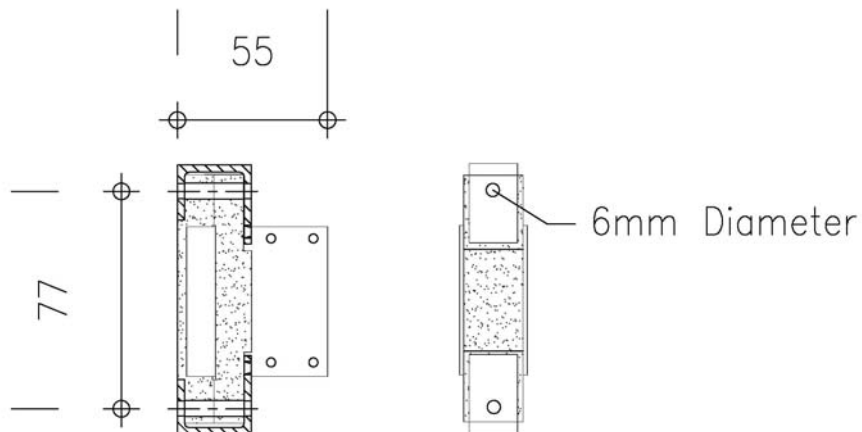


INSTALLATION GUIDELINES

Insuclip sound isolation bracket for Wall or Ceiling Systems

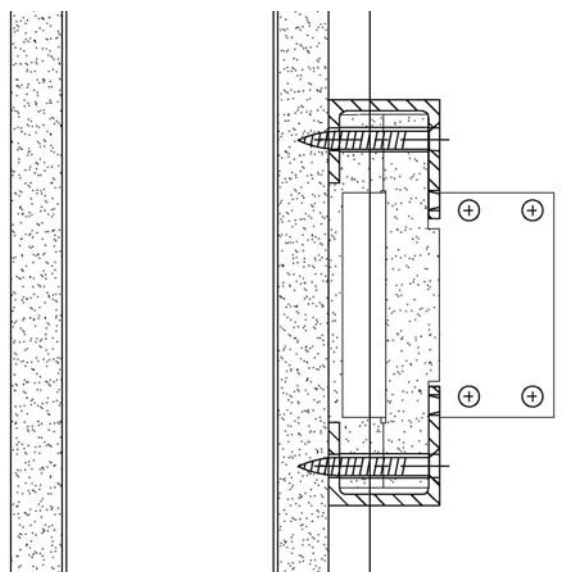
Step 1. Adhere the perimeter board on the inside face of the wall;

Step 2. Based on the layout design to attach the isolation bracket on wall or ceiling.



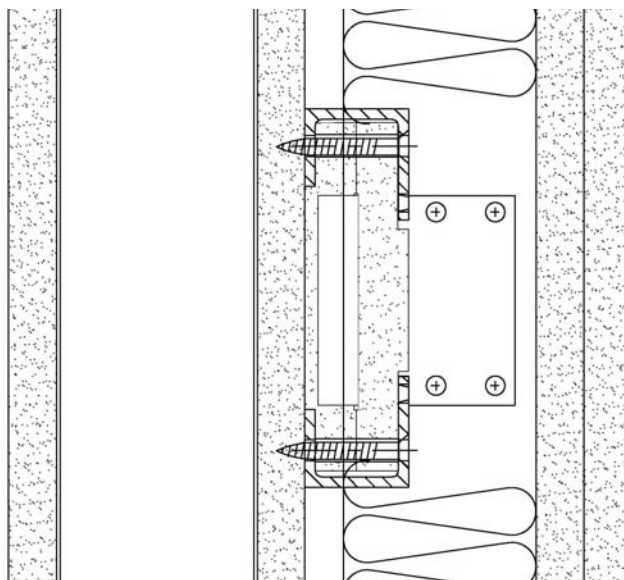
Step 3. Secure the bracket by self tapping screw or anchor bolt (max. 5mm diameter);

Step 4. Adjust the vertical level of the furring channel and fix the channel with connect plate of bracket by self tapping screw (min. remind 10mm gap between the existing wall with the furring channel)



INSTALLATION GUIDELINES

Step 5. Infill the insulation and fix the gypsum board on the furring channel like typical drywall system.



Step 6. Trim the perimeter board and apply sealant to seal the gap.

Recommendations for Installation

1. Spacing of bracket on the furring channel shall not large then 1200mm c/c;
2. Spacing between furring channels shall not large then 600mm c/c;
3. Loading capacity of the system normally control by the furring channel, for 0.55mm thickness of furring channel, the loading capacity of Insuclip is 25kg.
4. The first bracket located from floor shall not large then 75mm.
5. The first bracket located from ceiling shall not large then 150mm.